

DOT 2

SPECIFICATION SHEET
WARM DIM

AESTHETIC MICROCYLINDER SMALL BEYOND COMPARE

Housing

Diameter : Ø2.5" | Height : 8.5" | Weight : 1.9 lbs

Material

Housing : Extruded Aluminum
Lens : TIR Polycarbonate Lens

Power Input

15W | 120-277V

Lumen Output

850 lm (15W)

Dimming

Superior 0-10V : dims to 1%, dims to dark

Color Quality

CRI 93 | UGR ≤ 19

Finish



Color Temperature



ColorFlip™ Warm Dim
1800K ↔ 3000K

Optics



Mounting



Warranty

5 Year limited warranty

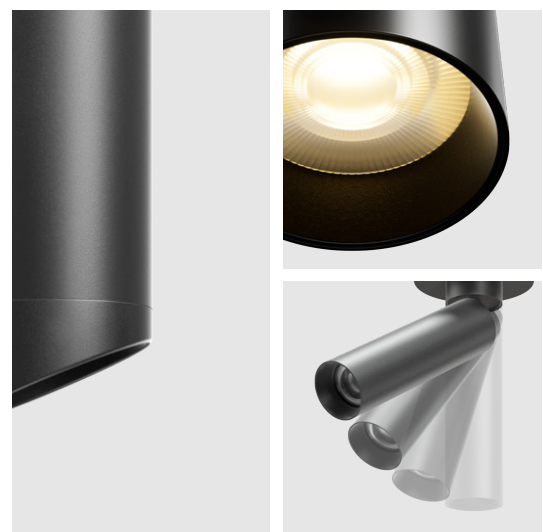
Listing



One Microcylinder Family To Rule Them All

The Dot 2 micro cylinders come with a delivered lumen package of up to 850 lm. Available in black and white finishes, a variety of mounting options, and accessories.

Two years on from the introduction of the Dot series, we have now expanded the line to include even smaller apertures and greater optical, and design accessories. Offering optimal balance between diminutive design and high performance.



METEOR

meteor-lighting.com

SPECIFICATION SHEET / WARM DIM

DOT 2 AESTHETIC MICROCYLINDER
SMALL BEYOND COMPARE



SPECIFICATION

PROJECT NAME

DATE

CATALOG #

QUANTITY

The product configurator function on this page works only with the latest version of Chrome or Adobe Acrobat Reader.

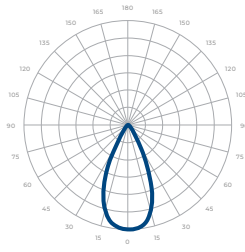
<input type="text" value="DT2"/>	MODEL	DOT 2		
<input type="text" value="15"/>	WATTAGE	15 15W		
<input type="text" value="WDIM"/>	CCT / CRI	WDIM 1900K - 2700K		
<input type="text" value="UNV"/>	VOLTAGE	UNV 120 – 277V		
<input type="text" value="SPV"/>	DIMMING	SPV Superior 0-10V : dims to 1%, dims to dark		
<input type="text"/>	BEAM ANGLE	45 45°	60 60°	
<input type="text"/>	FINISH	BLK Black	WHT White	
<input type="text"/>	MOUNTING	SUM Surface Mount ST2 Stem Mount 2ft ST4A Stem 4ft Adjustable	SA Surface Adjustable ST4 Stem Mount 4ft	CM10 Cord Mount 10ft ST2A Stem 2ft Adjustable
<input type="text"/>	ACCESSORIES	HC^{1,4} Hex Cell Louver FCS⁵ Field Cut Stem Adapter Kit	SL^{2,4} Solite Lens	SSB^{3,4} Spot Shield Bezel

CLEAR FORM

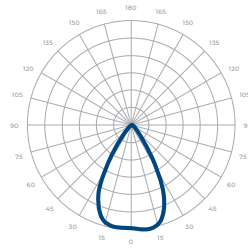
¹ HC option reduces delivered lumens by ~30%
² SL option reduces delivered lumens by ~15%
³ SSB option reduces delivered lumens by ~20%, and SSB is not compatible with SA, ST2A, ST4A
⁴ Only one option within this group can be specified
⁵ FCS is not compatible with SUM, CM10, SA, ST2A, ST4A

PHOTOMETRICS

Below is a typical photometric representation of the Dot 2 fixture. Please download IES files to ensure exact photometric value.



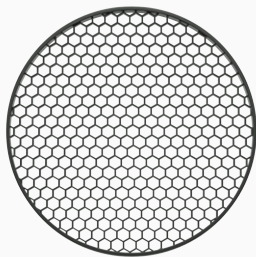
45°



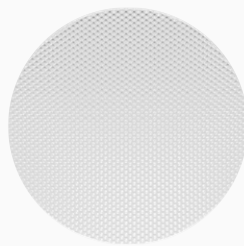
60°

ACCESSORIES

Hex Cell Louver



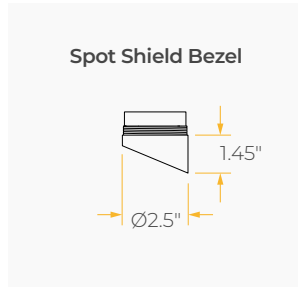
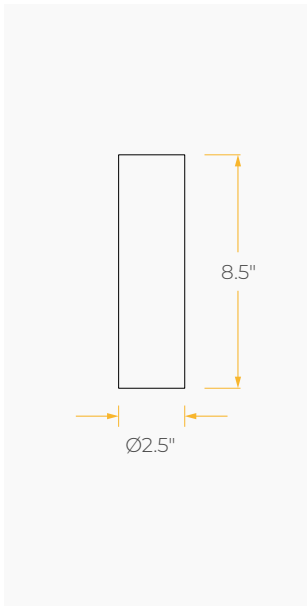
Solite Lens



Spot Shield Bezel

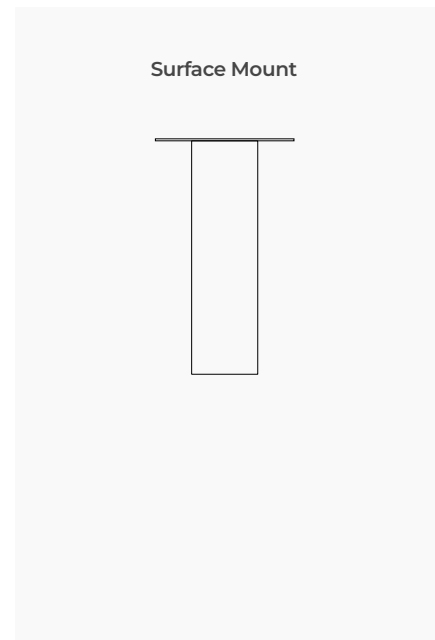
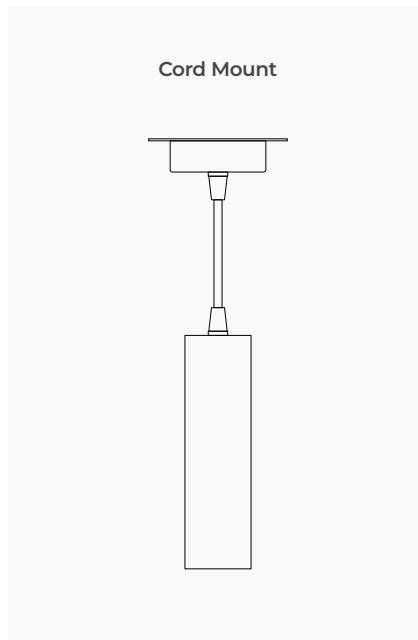
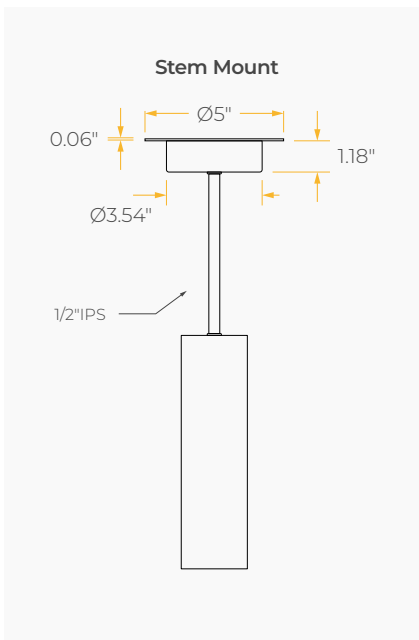


DIMENSIONS



MOUNTING OPTIONS*

*Junction Box not included



MOUNTING OPTIONS*

*Junction Box not included

